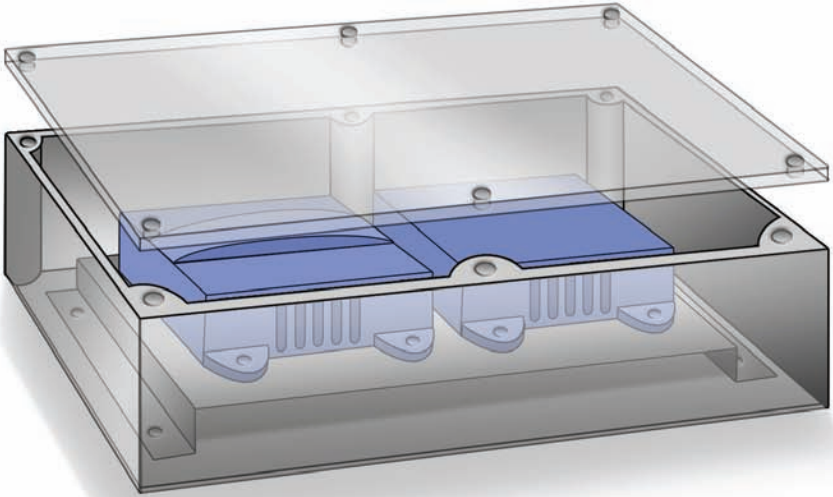
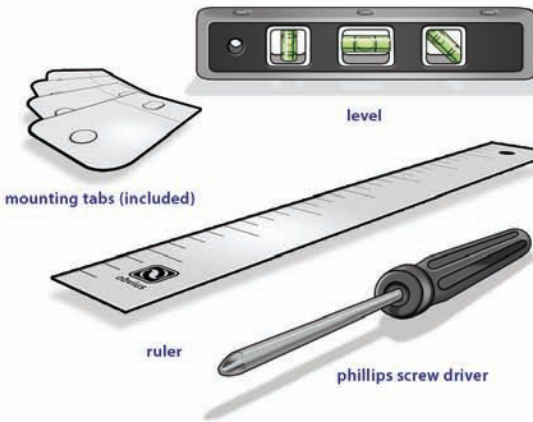


## NEMA Installation Guide



Things you will need  
for installation:



## NEMA Rating

*Meets NEMA 1, 2, 4, 4X, 12, 13 specifications*

### Suitable Environments:

-Indoor Use

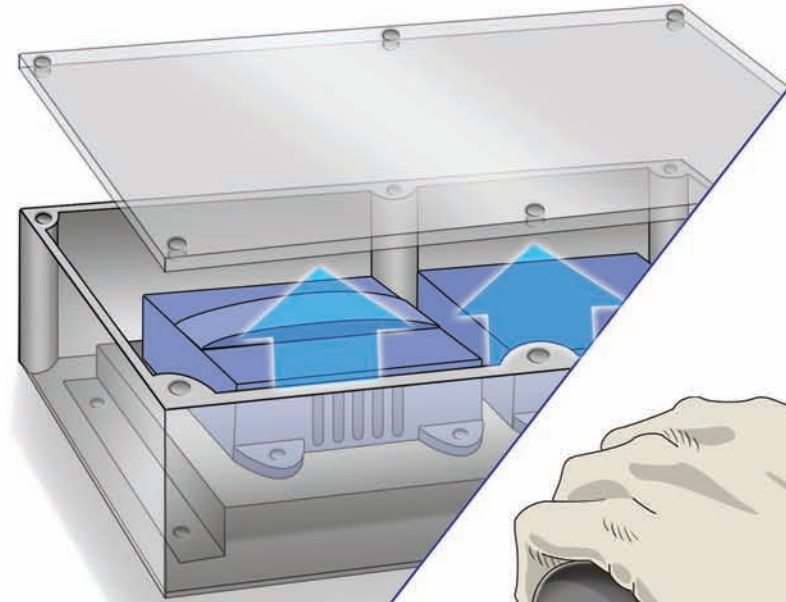
-Outdoor Use

-Falling liquids & light splashing

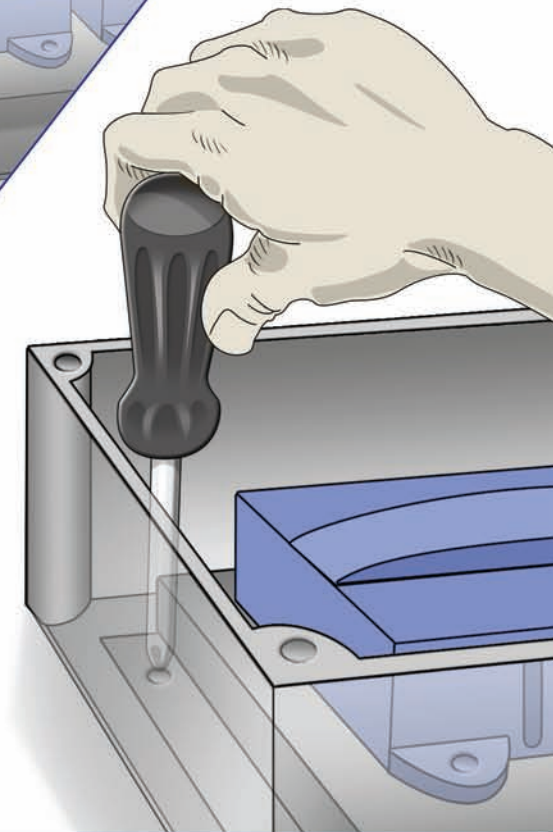
-Nonhazardous dust, lint, fibers

-Washdowns and splashing water

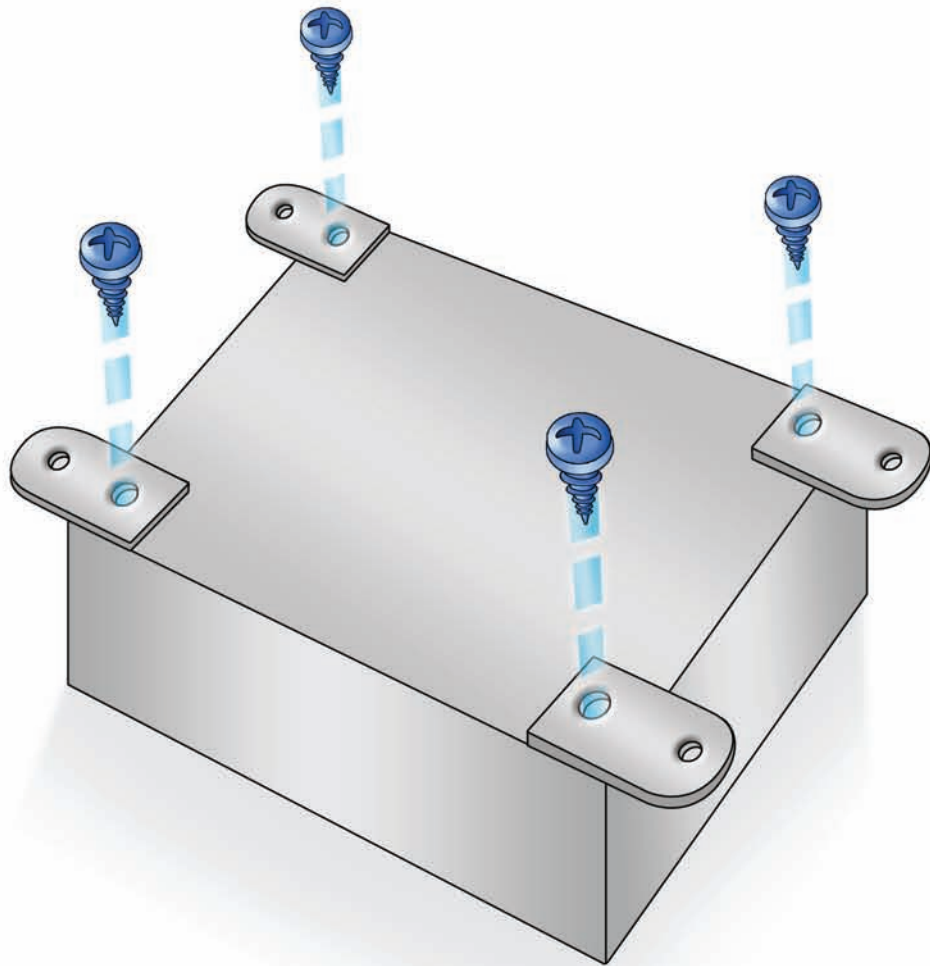
**REMOVE** Enclosure Lid



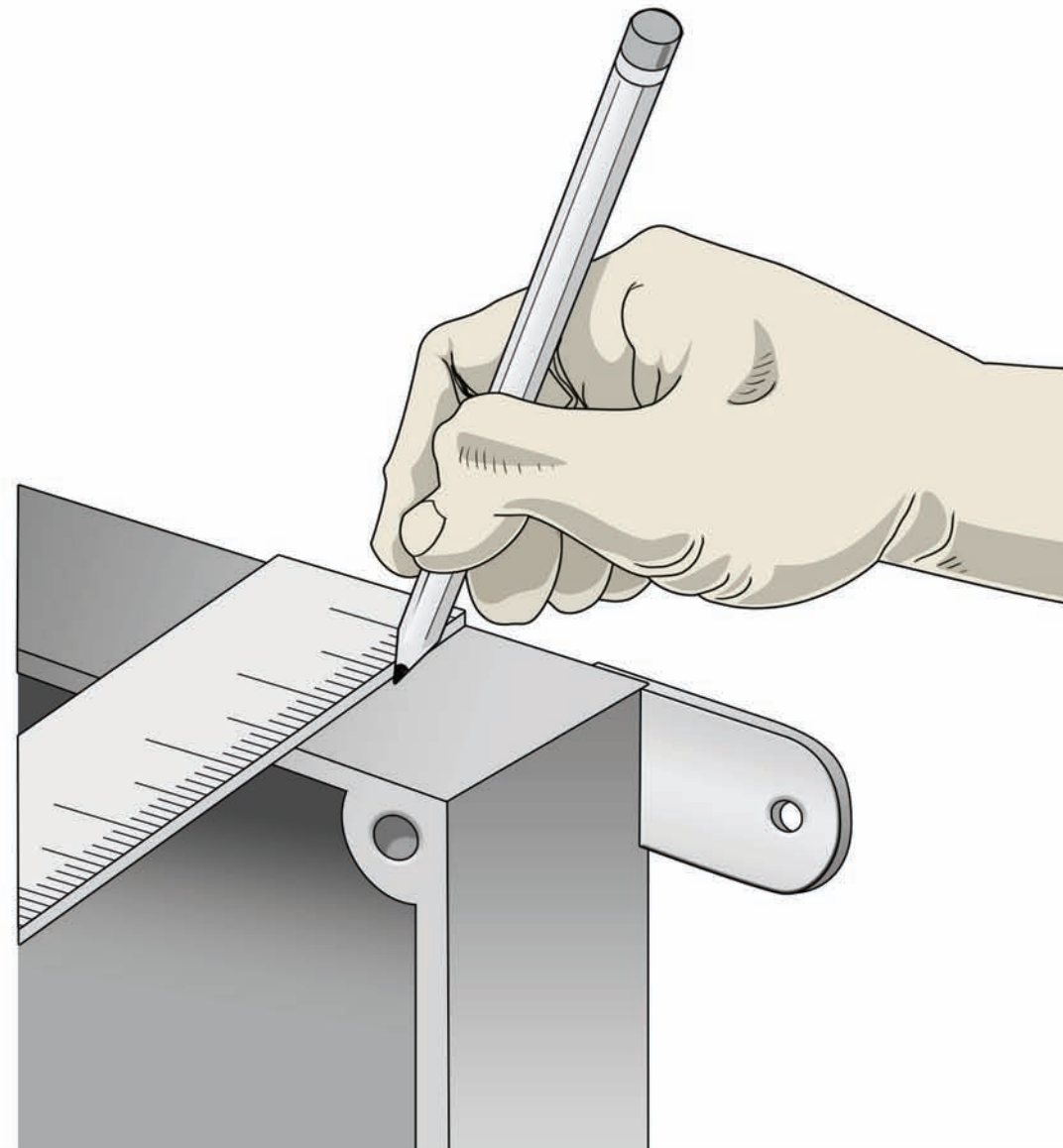
**REMOVE** Base Plate



Attach **Mounting Tabs** on Back of Enclosure



Determine the Best Location for Attaching **Conduit**

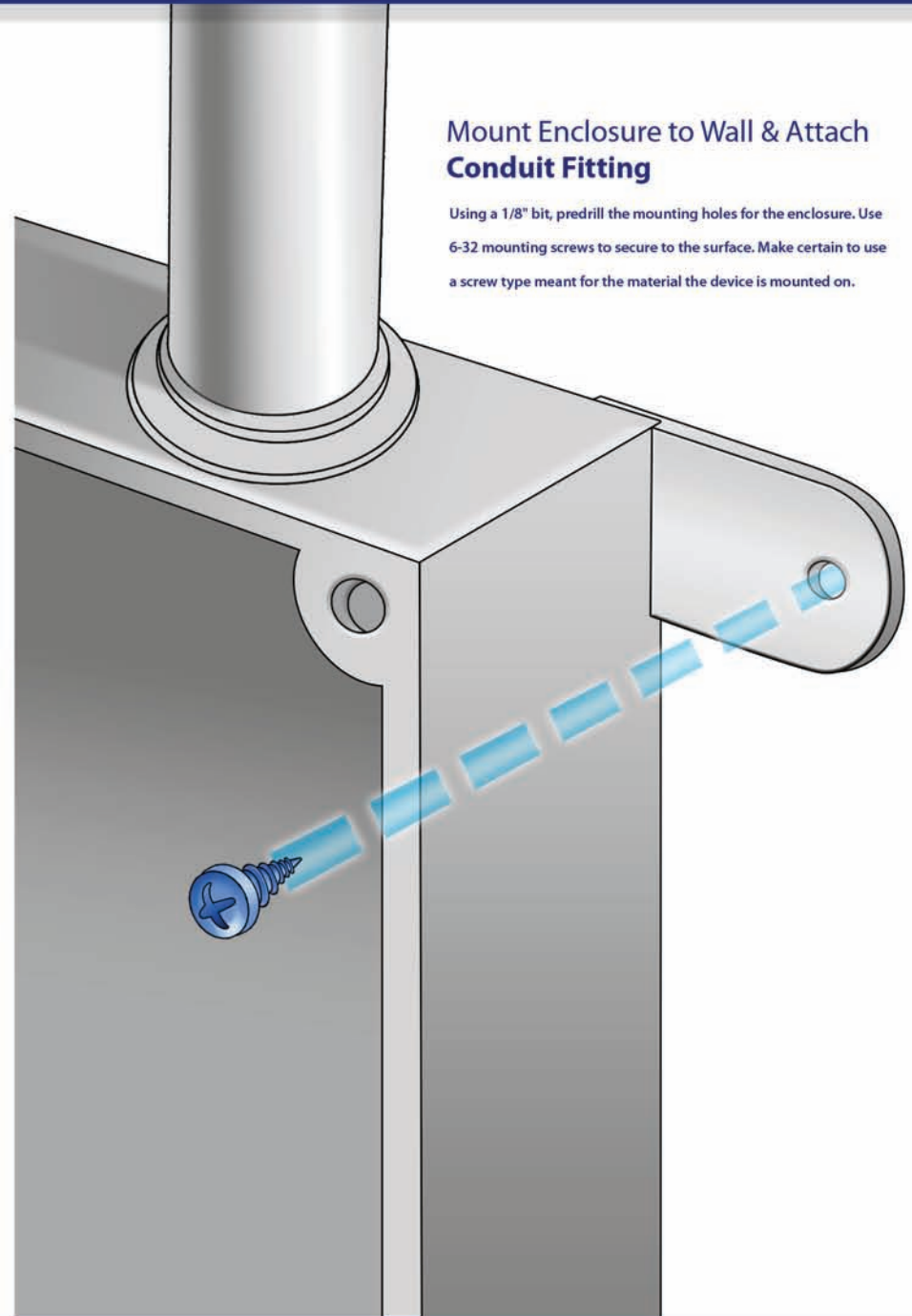


## Determine Ideal **Mounting Location**

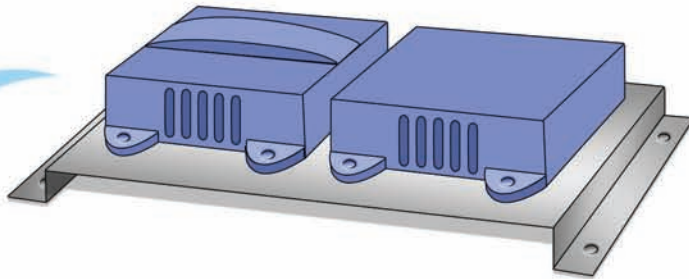


## Mount Enclosure to Wall & Attach **Conduit Fitting**

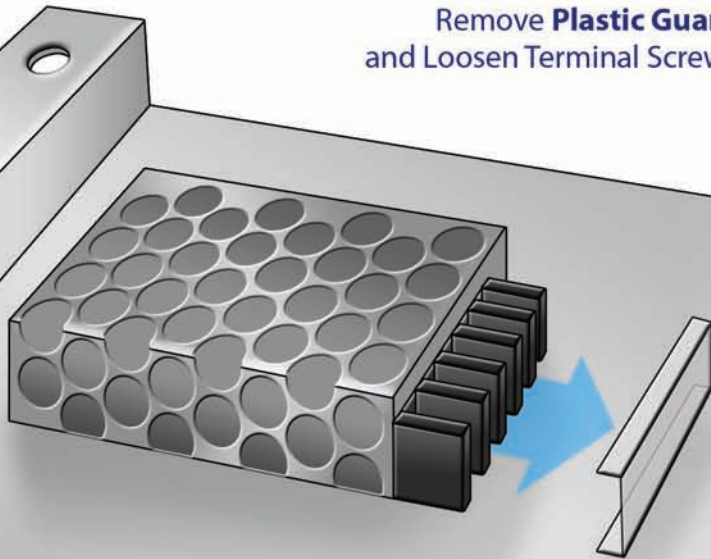
Using a 1/8" bit, predrill the mounting holes for the enclosure. Use 6-32 mounting screws to secure to the surface. Make certain to use a screw type meant for the material the device is mounted on.



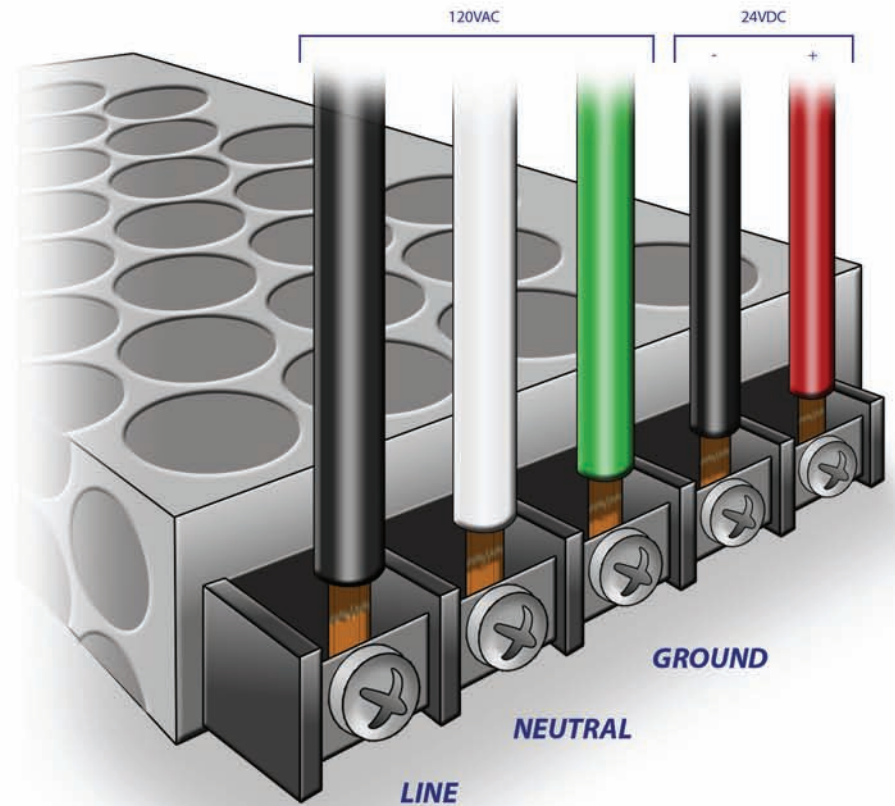
Turn over **Base Plate**



Remove **Plastic Guard**  
and Loosen Terminal Screws

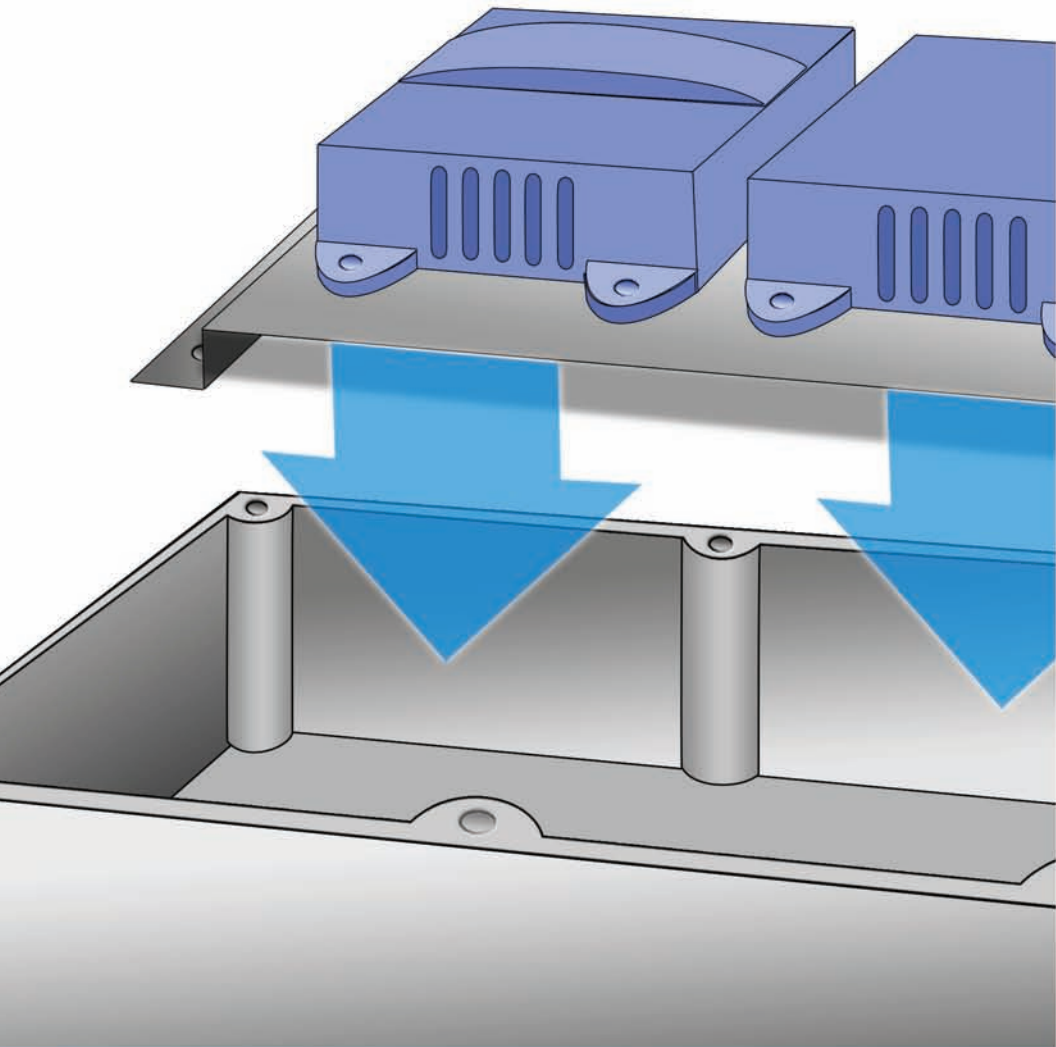


## Powering the Device

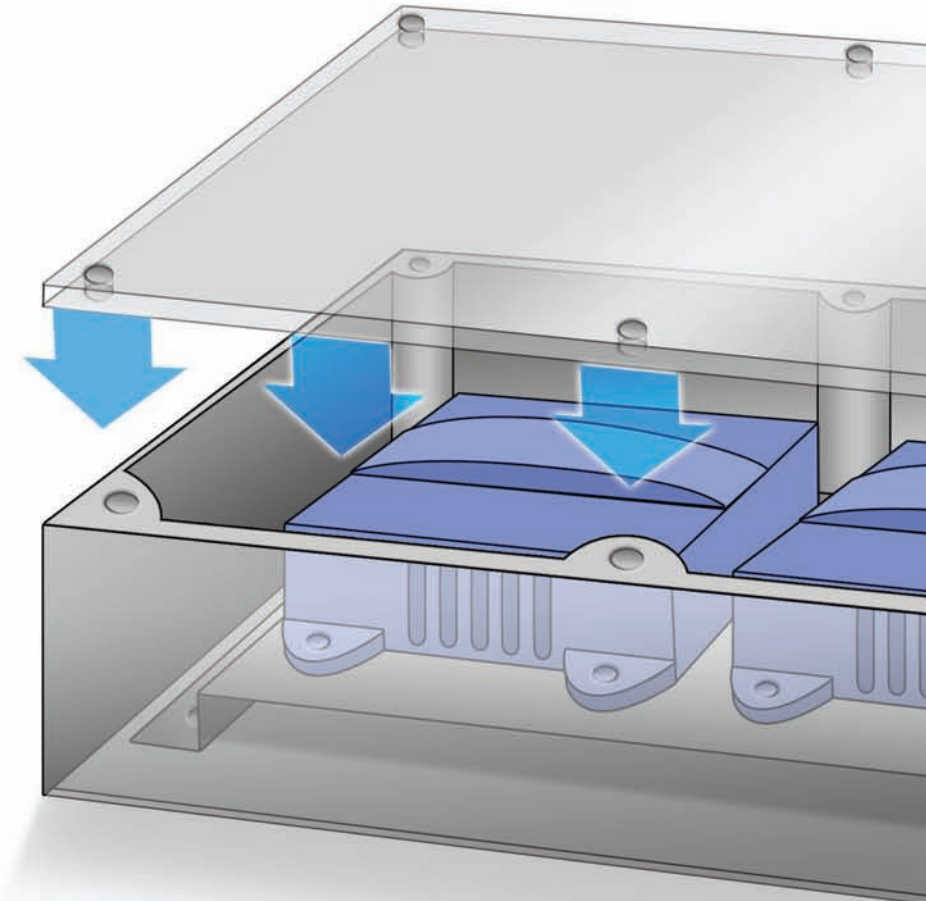


120VAC, 50/60hz, Follow safe electrical work practices.  
Equipment should be installed by licensed and qualified person.

## Replace Base Plate and Secure Conduit Fitting



## Secure Enclosure Lid





*Energy Information **Made Obvius***

Obvius | 3300 NW 211th Terrace | Hillsboro, OR 97124  
503 601 2099 | 866 204 8134 (USA only) | [sales@obvius.com](mailto:sales@obvius.com)