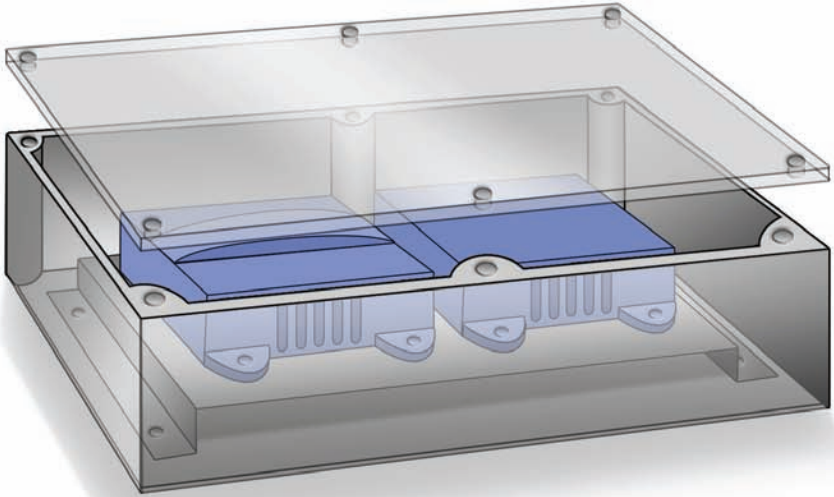
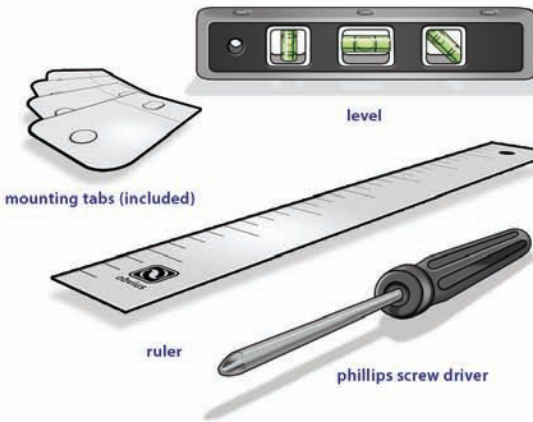


NEMA Installation Guide



Things you will need
for installation:



NEMA Rating

Meets NEMA 1, 2, 4, 4X, 12, 13 specifications

Suitable Environments:

-Indoor Use

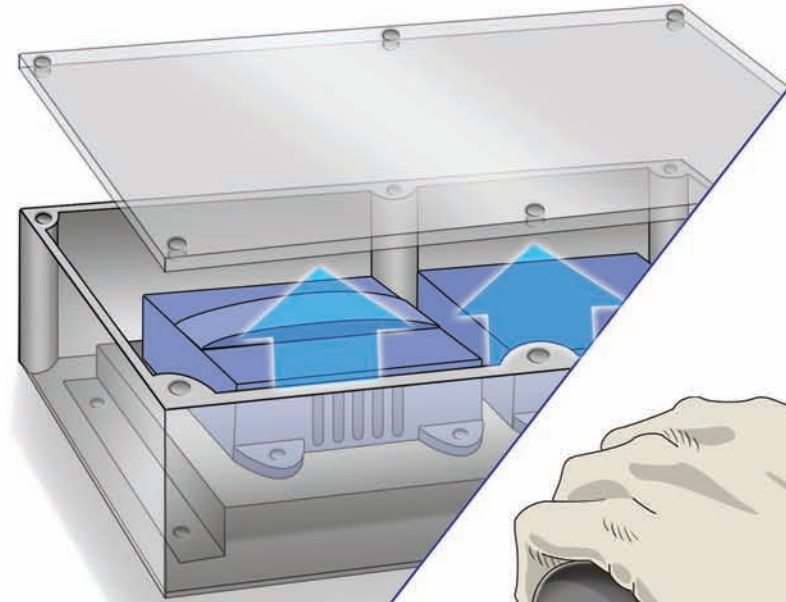
-Outdoor Use

-Falling liquids & light splashing

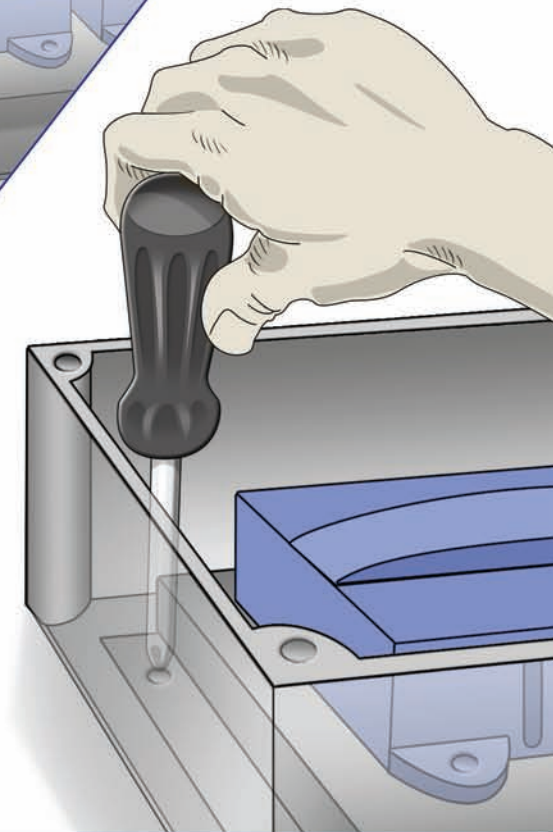
-Nonhazardous dust, lint, fibers

-Washdowns and splashing water

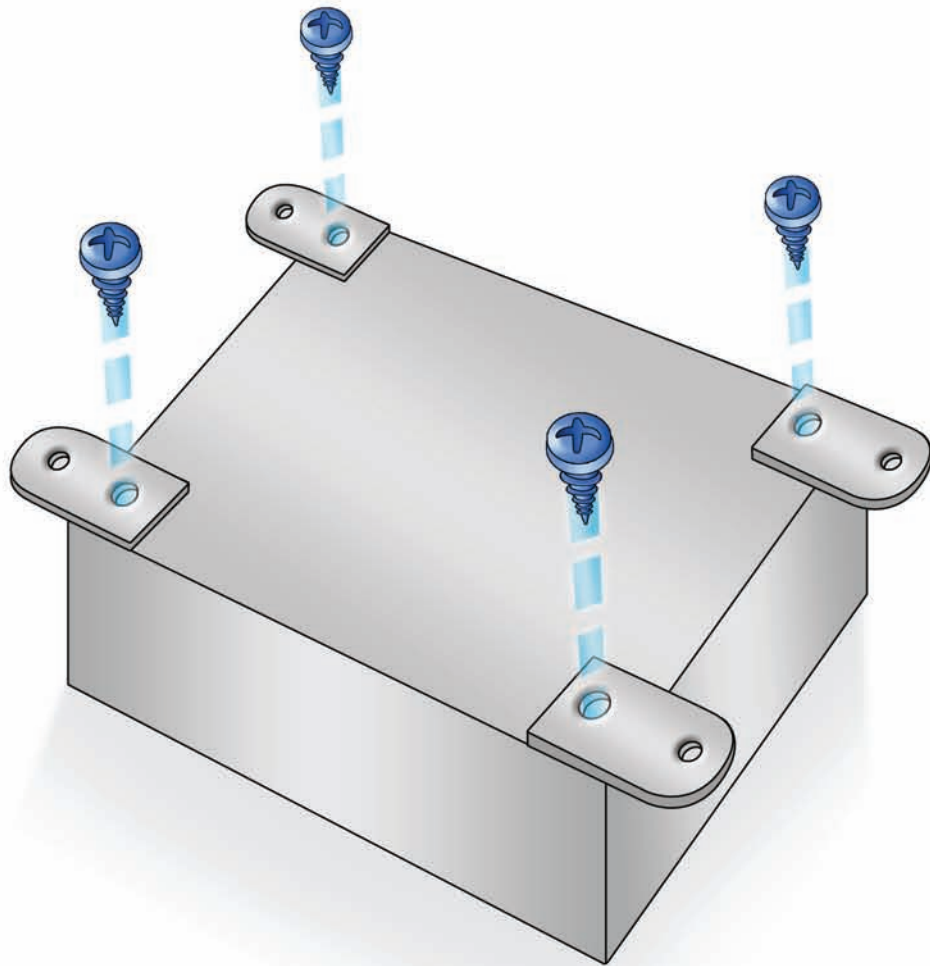
REMOVE Enclosure Lid



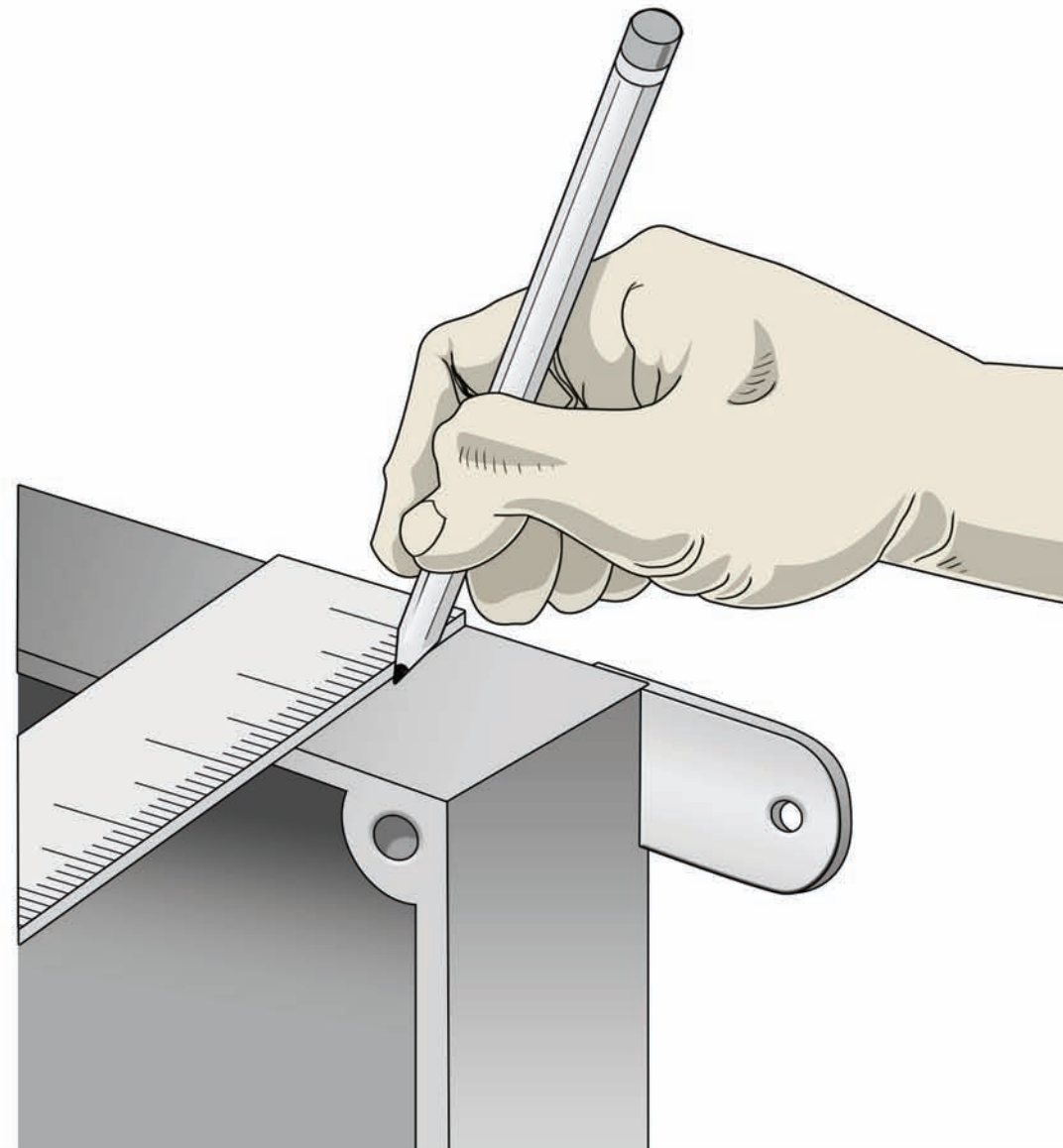
REMOVE Base Plate



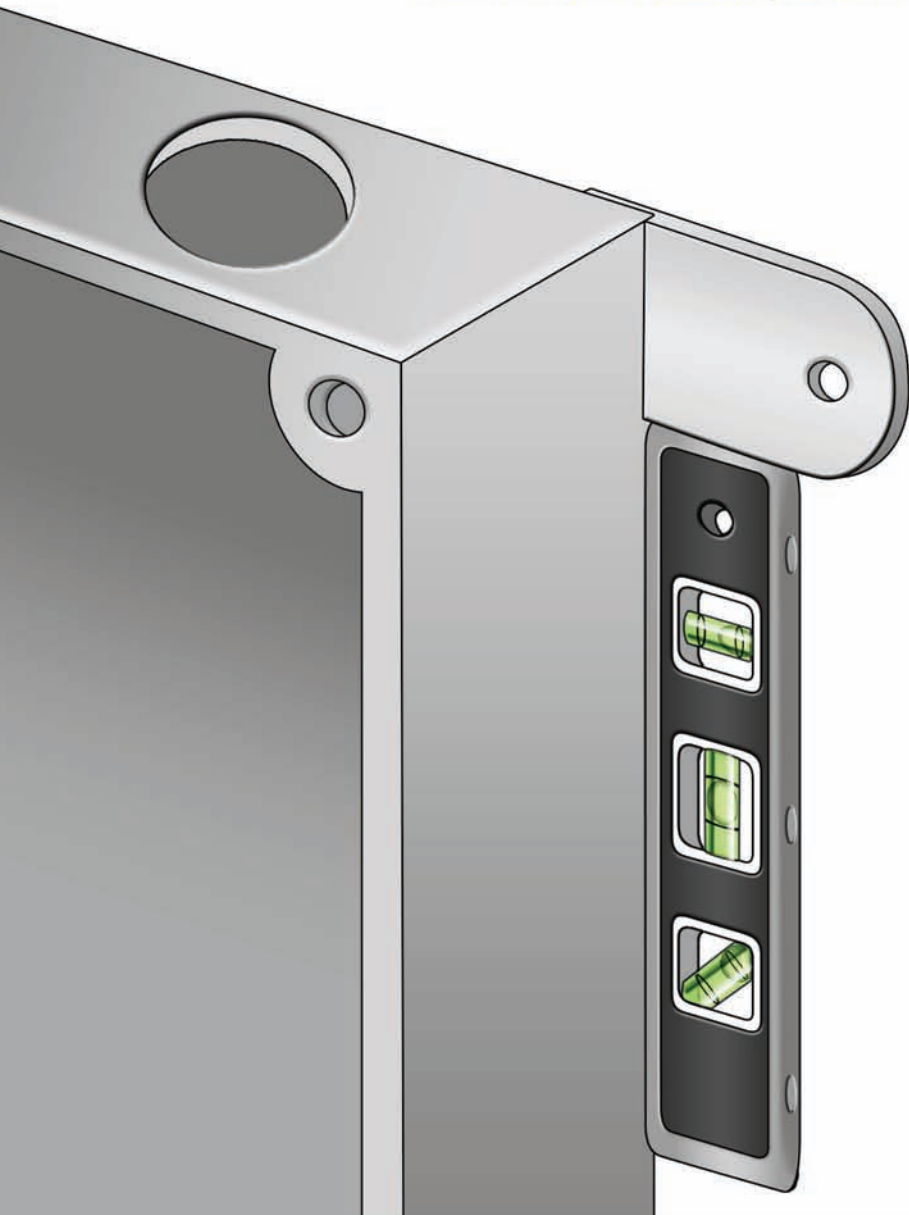
Attach **Mounting Tabs** on Back of Enclosure



Determine the Best Location for Attaching **Conduit**

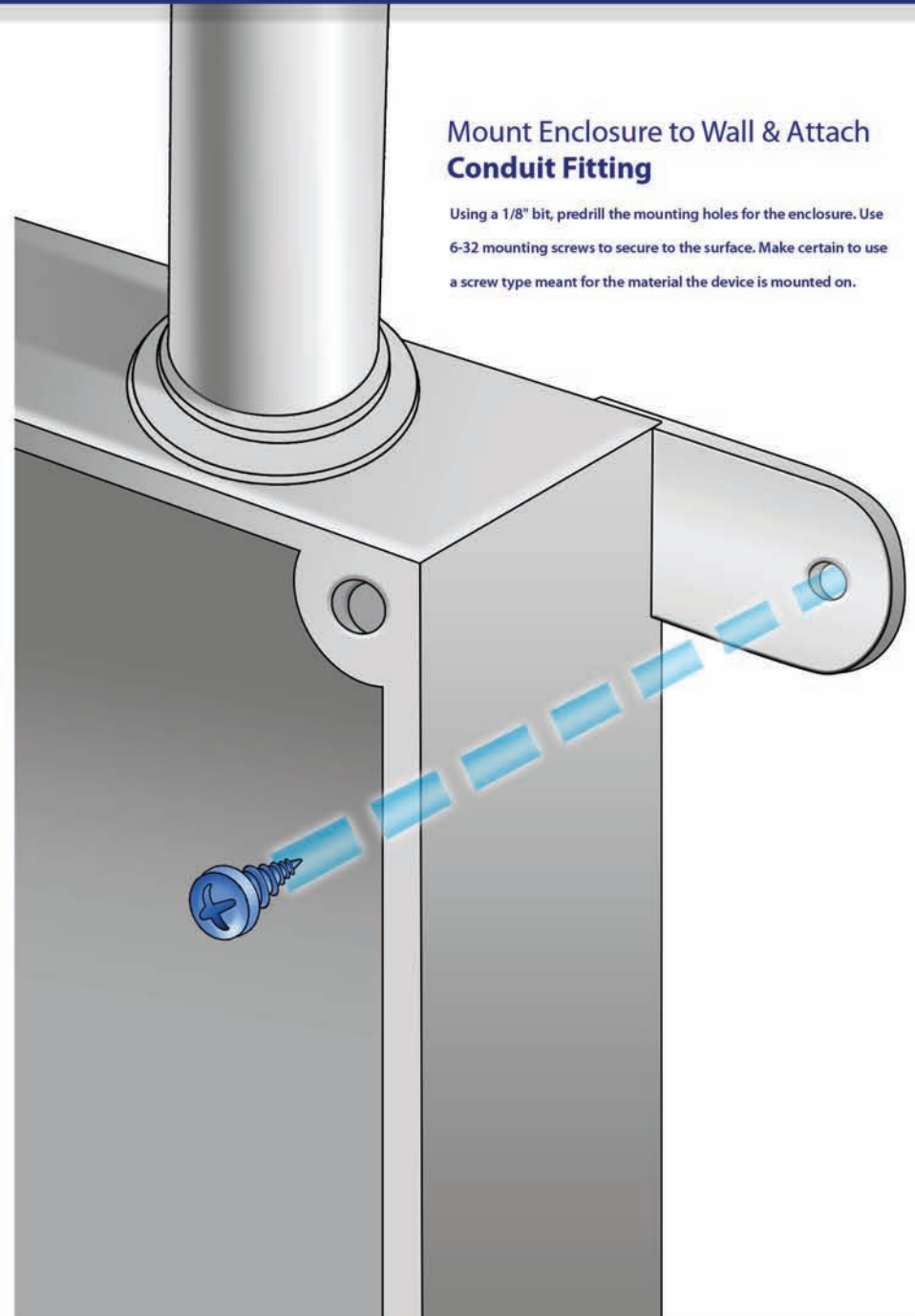


Determine Ideal **Mounting Location**

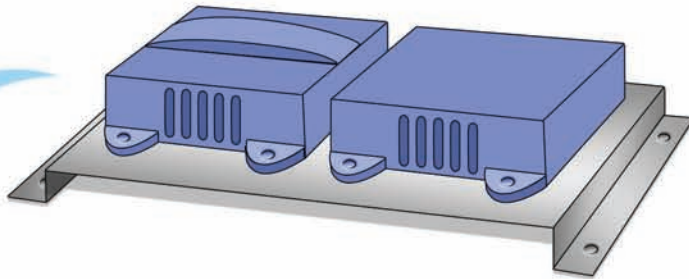


Mount Enclosure to Wall & Attach **Conduit Fitting**

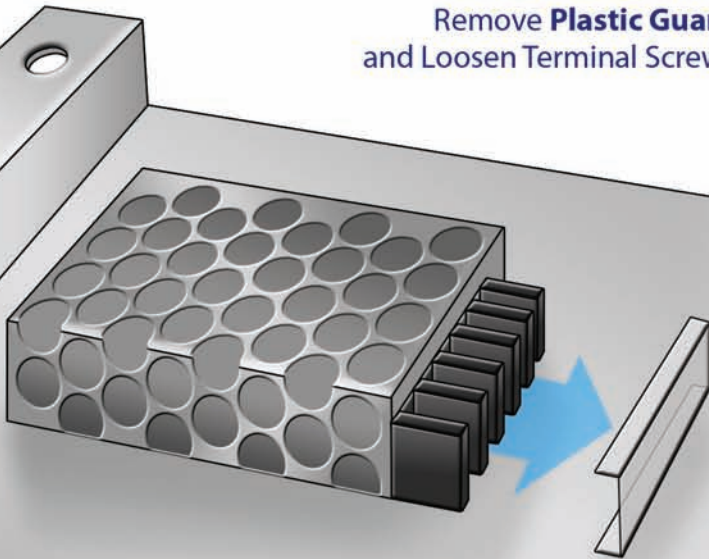
Using a 1/8" bit, predrill the mounting holes for the enclosure. Use 6-32 mounting screws to secure to the surface. Make certain to use a screw type meant for the material the device is mounted on.



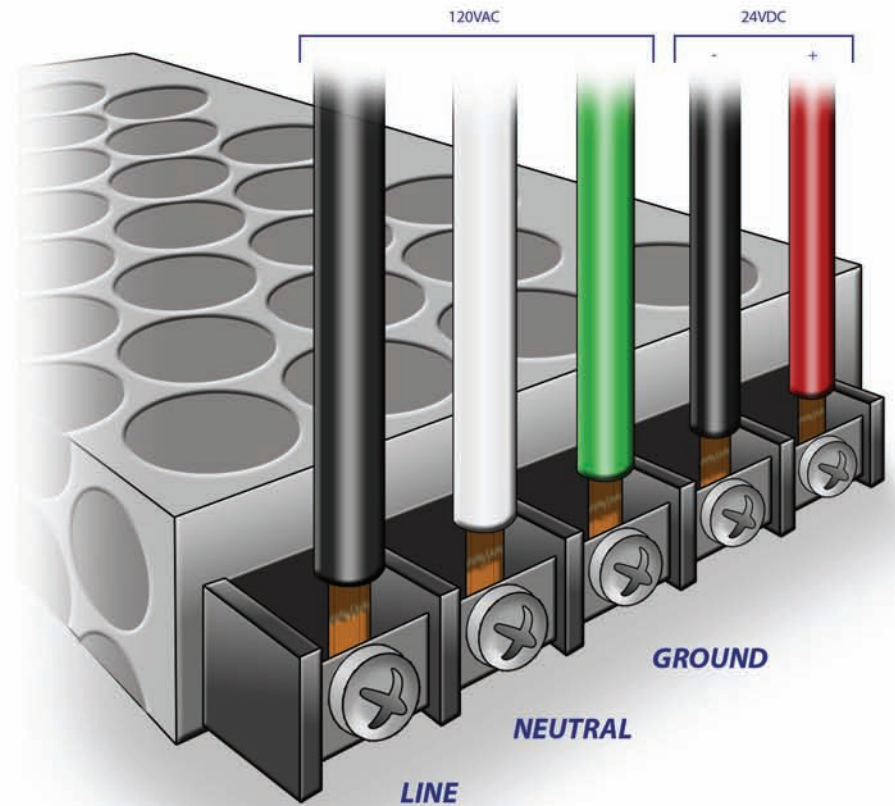
Turn over **Base Plate**



Remove **Plastic Guard**
and Loosen Terminal Screws

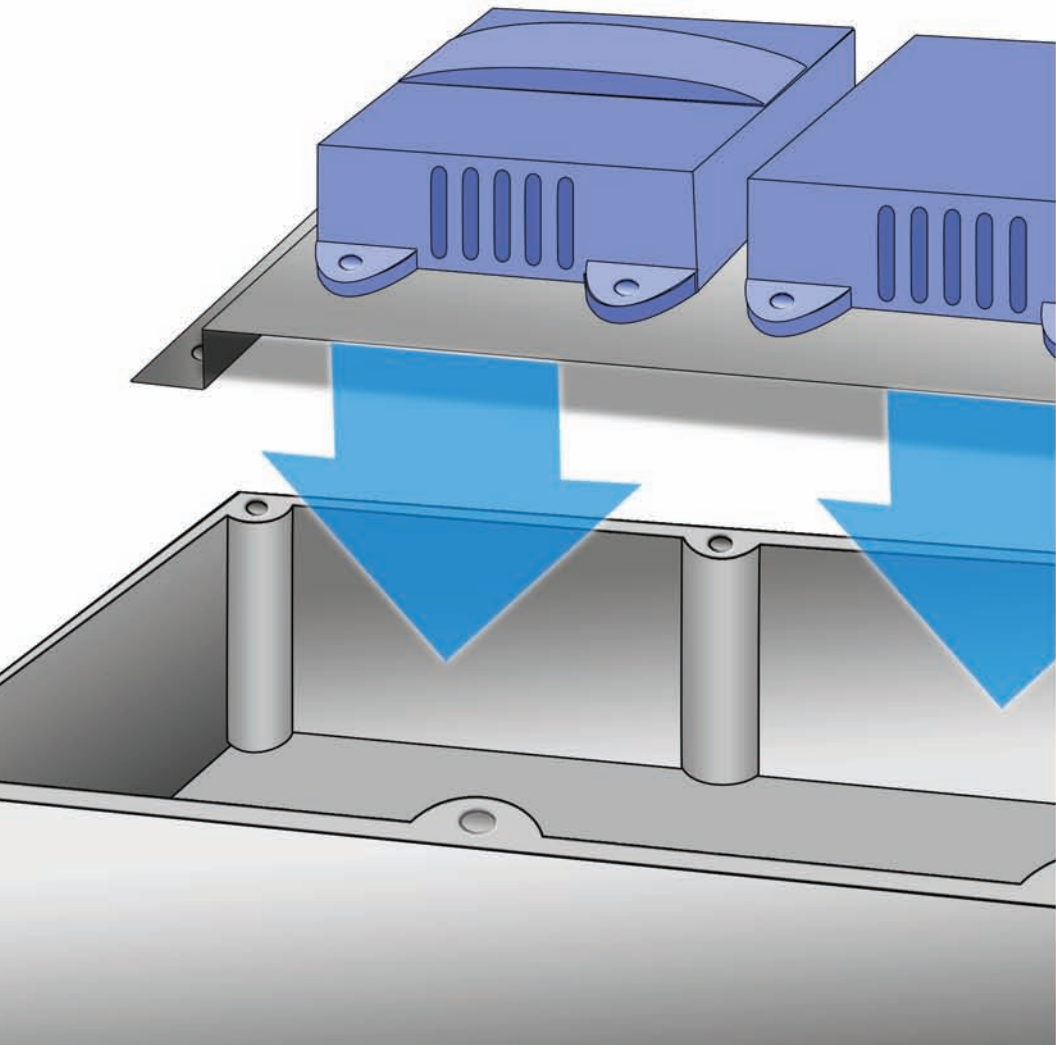


Powering the Device

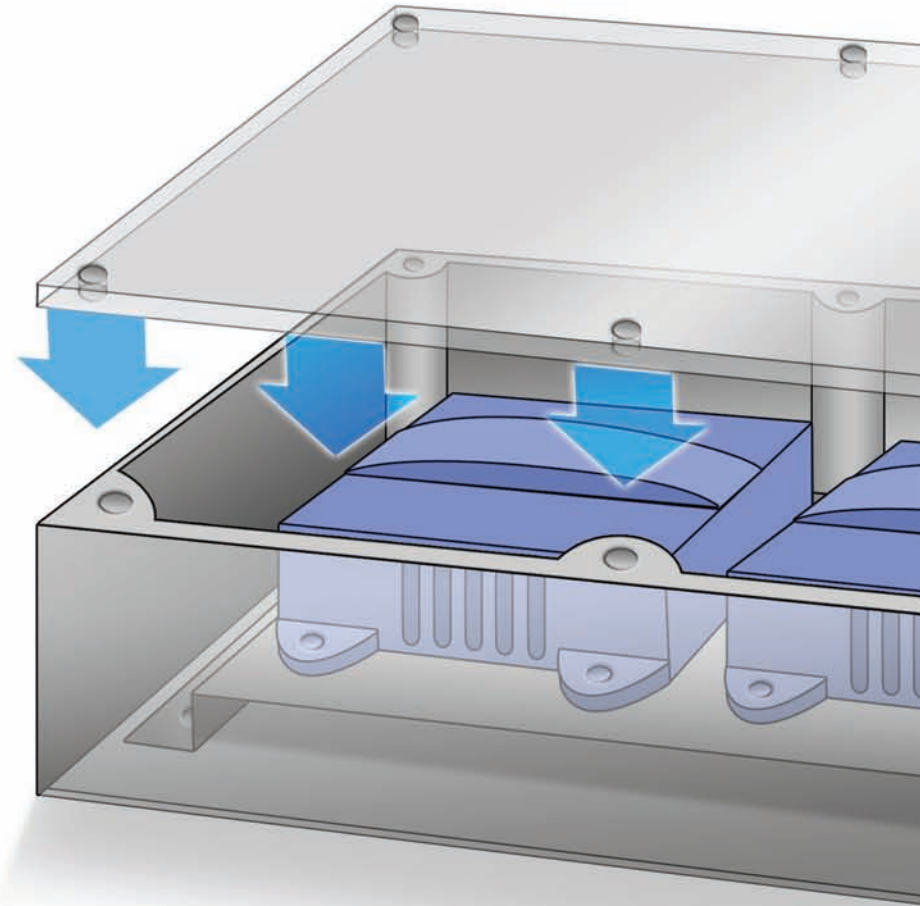


120VAC, 50/60hz, Follow safe electrical work practices.
Equipment should be installed by licensed and qualified person.

Replace Base Plate and Secure Conduit Fitting



Secure Enclosure Lid





Energy Information **Made Obvius**

Obvius | 3300 NW 211th Terrace | Hillsboro, OR 97124
503 601 2099 | 866 204 8134 (USA only) | sales@obvius.com