

IDAS-A7810-4G

IDAS · Integrated Data Acquisition Solutions



DESCRIPTION

Obvius Integrated Data Acquisition Solutions (IDAS) are designed to simplify the installation process and reduce logistical headaches. The IDAS-A7810-4G Panels feature our intelligent **A7810 AcquiLite** Data Acquisition Server, 4G cellular modem (GSM or CDMA), and wide range power supply. Easy to use and drop-in ready, the IDAS-A7810-4G Panels provide a scalable pulse meter data acquisition & upload solution for any application.

OBVIUS ADVANTAGES

- **Hardware and software agnostic** system allows flexibility working with virtually any device and monitoring platform.
- **Ease of use** for cost-effective and scalable commissioning in half the time—intuitive interface means no expertise needed to make configuration changes
- **Multiple upload channels** allow for data redundancy and software platform flexibility
- **Diverse utility profile** for a future-proof system, globally built to evolve with expanding industry and customer needs
- **Live technical support**—accessible expertise is a phone call away
- **Remote assistance**—our support team can quickly and easily access your AcquiSuite for troubleshooting and configuration errors
- **Data backup**—**BMO 3.0** offers basic data monitoring and historical record keeping to pair with our industry-leading software partners
- **Leading reliability**— Obvius has been a trusted name for industry leaders since 2001

PANEL PARTNER ADVANTAGES

- Complete UL hardware solutions for metering and data acquisition
- Reduced lead times
- Simplified procurement
- Single point of contact for technical support
- Designed by field engineers to address installation pain points
- Proven reliability
- 5-year warranty

HARDWARE FEATURES

- **Obvius A7810 AcquiLite** is an open-ended data collection platform designed to provide operators a maximum level of data flexibility and independence.
- Collect data from: Pulse, Modbus TCP, or BACnet IP devices at user defined intervals
- Multi-Tech 4G cellular router with 3G fallback (optional), available in GSM or CDMA compatibility—external antenna included
- NEMA 4X rated enclosure for indoor and outdoor applications
- Wide-range 100-277VDC power supply allows for flexible use in a variety of applications

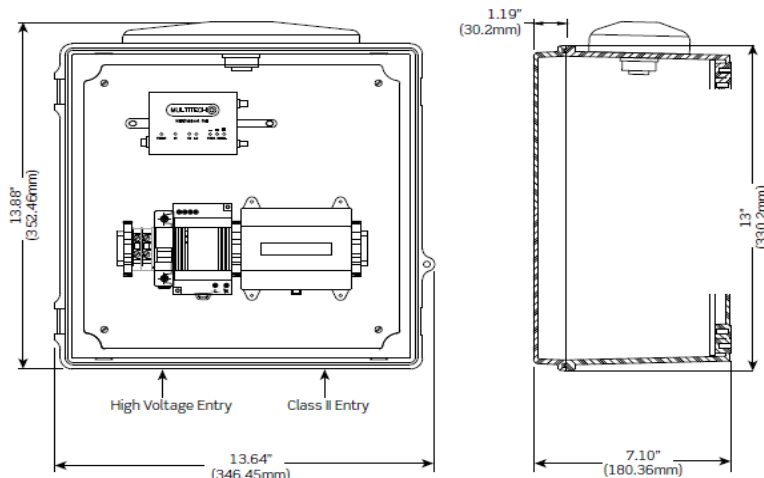
SPECIFICATIONS

COMPONENTS	
Data Logger	AcquiLite EMB A7810
DC Power	Leviton PST24-I10, 24V 30W, 100-277V Range
Cell Modem	MultiTech 4G Router with 3G fall back; GSM and CDMA options available for North America and International carriers.
Data Storage Interval	15-minute default; configurable up to 1 minute. <i>Speed Logging Module</i> available for up to 1 second logging
COMMUNICATION	
Pulse	4x Pulse inputs, dry contact, standard or KYZ, closure threshold 100Ω to 2.5KΩ user selectable
Modbus TCP	Approximately 100 devices per logger (subject to site conditions)
BACnet IP Logging/Client	Discover and log downstream BACnet devices.
BACnet IP Server	Present Modbus devices as BACnet objects
LAN	RJ45 10/100 Ethernet, full half duplex, auto polarity. DHCP or Static IP
Data Upload Protocols	HTTP, HTTPS, FTP, XML.
Log File Format	.CSV
COMPLIANCE	
UL, CE, ETL, SunSpec	
Warranty	5 year
POWER	
Voltage Inputs	120-277VAC, single phase, line to neutral, 50/60Hz, fused disconnect included
PHYSICAL	
Dimensions	13.88" H x 13.42" W x 7.10" D (352.69mm x 340.75mm x 180.34mm)
Enclosure Rating	NEMA 4X
Operating Range	-22-158°F (-30-70°C)

ORDERING INFORMATION

CAT.NO.	DESCRIPTION
IDAS-A7810-GSM	Obvius UL508A Listed A7810 AcquiSuite-4GSM Panel. Includes: A7810 AcquiLite Data Acquisition Server and MultiTech 4G cellular router. GSM Cellular Carriers. SKU: A508-1018B
IDAS-A7810-CDMA	Obvius UL508A Listed A7810 AcquiSuite-CDMA Panel. Includes: A7810 AcquiLite Data Acquisition Server and MultiTech 4G cellular router. CDMA Cellular Carriers: Verizon SKU: A508-1018D

DIMENSIONS



Obvius UL508A Listed IDAS-A7810-4G

Obvius

20497 SW Teton Avenue, Tualatin, OR 97062 Tel: 866-204-8134 (7:00AM-5:00PM PT Monday-Friday)

Sales: sales@obvius.com

Tech Support: support@obvius.com

www.obvius.com

©2018 Obvius Holdings, LLC. All rights reserved. Subject to change without notice.