

# Obvius UL508A Listed Data Acquisition and Metering Panel



## DESCRIPTION

Obvius Integrated Data Acquisition Solutions (IDAS) are designed for a wide variety of inverter, meter, and sensor data collection applications. The Data Acquisition and Metering Panel features our intelligent data acquisition server, full-data set bidirectional meter, I/O module, and robust cellular modem. Easy to use and drop-in ready for PV sites, the Data Acquisition and Metering Panel provides a complete, powerful and flexible solution.

## OBVIUS ADVANTAGES

- Hardware and software agnostic system allows flexibility working with virtually any inverter and monitoring platform
- Ease of use for cost-effective and scalable commissioning in half the time—intuitive interface means no expertise needed to make configuration changes
- Multiple upload channels allow for data redundancy and software platform flexibility
- Diverse utility profile for a future-proof system, globally built to evolve with expanding industry and customer needs
- The SunSpec certified AcquiSuite leads the industry with more integrated SunSpec inverter models than any other data logger
- Live technical support—accessible expertise is a phone call away
- Remote assistance—our support team can quickly and easily access your AcquiSuite for troubleshooting and configuration errors
- Data backup—BMO 3.0 offers basic data monitoring and historical record keeping to pair with our industry-leading software partners
- Leading reliability—Obvius is a trusted name for industry leaders

## PANEL PARTNER ADVANTAGES

- Complete UL hardware solutions for metering and data acquisition
- Competitive pricing
- Reduced lead times
- Simplified procurement
- Single point of contact for technical support
- Designed by field engineers to address installation pain points
- Proven reliability
- 5-year warranty

## HARDWARE FEATURES

- SunSpec certified Obvius A8810 AcquiSuite is an open-ended data collection platform designed to work with virtually any device and upload to any monitoring front-end
- Veris E51 is a rugged bidirectional, full data set meter with 0.2% ANSI accuracy
- Obvius A8332-8F2D Flex I/O provides 8 configurable analog channels for expanded equipment and sensor data collection
- Digi WR31 series Ethernet routers provide both GSM and CDMA 4G cellular connectivity—North American and International options available
- Citel RS485 Surge Suppressor protects equipment from voltage surges
- Wide-range 100-277VDC power supply allows for flexible use in a variety of applications

## Obvius

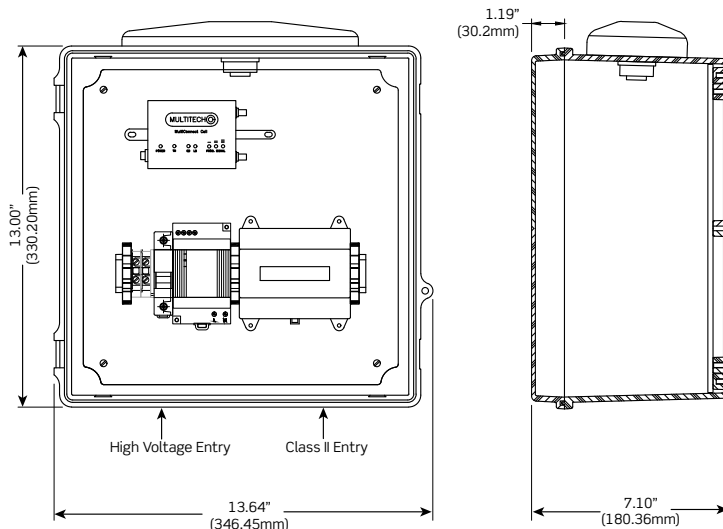
**SPECIFICATIONS**

| <b>COMPONENTS</b>                  |  |
|------------------------------------|--|
| <b>Data Logger</b>                 | AcquiSuite EMB A8810   |
| <b>DC Power</b>                    | Leviton PST24-I10, 24V 30W, 100-277V Range   |
| <b>Cell Modem</b>                  | MultiTech MTR-LAT1-B07. 4G Router with 3G Fall Back, carriers include: AT&T, T-Mobile, Rogers (other carriers available) |
| <b>Data Storage Interval</b>       | 15 minute default; configurable up to 1 minute   |
| <b>Remote Upgrades</b>             | Available  |
| <b>COMMUNICATION</b>               |  |
| <b>ModBus TCP</b>                  | Approximately 100 devices per logger (subject to site conditions)  |
| <b>ModBus RTU</b>                  | Approximately 32 devices per logger (subject to site conditions)   |
| <b>LAN</b>                         | RJ45 10/100 Ethernet, full half duplex, auto polarity  |
| <b>Cellular (optional)</b>         | 4G GSM/CDMA (North American and International options available)   |
| <b>Networking</b>                  | DHCP or Static IP  |
| <b>COMPLIANCE</b>                  |  |
| SunSpec Certified, UL508A, CE, ETL |  |
| <b>Warranty</b>                    | 5 year   |
| <b>POWER</b>                       |  |
| <b>Voltage Inputs</b>              | 120-277VAC, single phase, line to neutral, 50/60Hz, fused disconnect included  |
| <b>Phases</b>                      | Single phase, split phase, 3PH at 50/60 Hz   |
| <b>Current Inputs</b>              | mV full scale output CTs   |
| <b>PHYSICAL</b>                    |  |
| <b>Dimensions</b>                  | 13.88"H x 13.64"W x 7.10"D (361.15mm x 346.46mm x 180.34mm)  |
| <b>Enclosure Rating</b>            | NEMA 4X  |
| <b>Operating Range</b>             | -22-158°F (-30-70°C)   |

**ORDERING INFORMATION**

| <b>CAT.NO.</b> | <b>DESCRIPTION</b>                                       |
|----------------|--|
| A8810-4GSM     | Obvius UL508A Listed Data Acquisition and Metering Panel |

**DIMENSIONS**



**Obvius**

20497 SW Teton Avenue, Tualatin, OR 97062 **tel** 866-204-8134 **fax** 503-601-6878  
**tech line** (7:00AM-5:00PM PT Monday-Friday) 866-204-8134

**Visit our website at: [www.obvius.com](http://www.obvius.com)**

©2018 Obvius Holdings, LLC. All rights reserved. Subject to change without notice.

G-10502/G18-tb