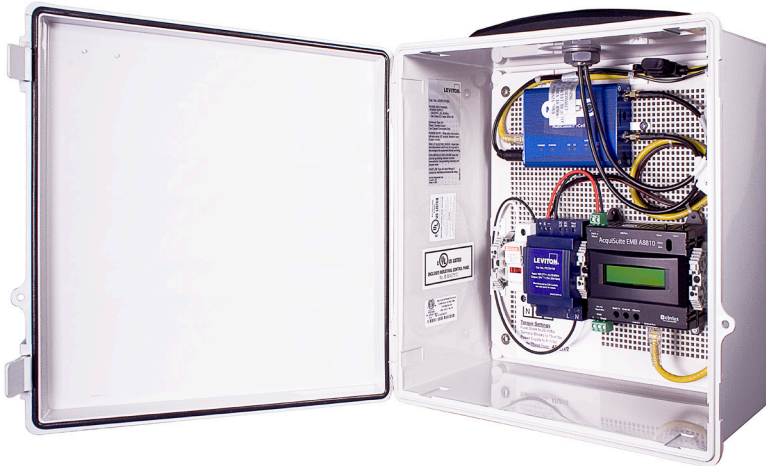


# Obvius UL508A Listed A8810 AcquiSuite-4GSM Panel



## DESCRIPTION

Obvius Integrated Data Acquisition Solutions (IDAS) are designed for a wide variety of inverter, meter, and sensor data collection applications. The A8810 AcquiSuite-4GSM Panel features our intelligent data acquisition server, full-data set bidirectional meter, I/O module, and robust cellular modem. Easy to use and drop-in ready for PV sites, the A8810 AcquiSuite-4GSM Panel provides a complete, powerful and flexible solution.

## OBVIUS ADVANTAGES

- Hardware and software agnostic system allows flexibility working with virtually any inverter and monitoring platform
- Ease of use for cost-effective and scalable commissioning in half the time—intuitive interface means no expertise needed to make configuration changes
- Multiple upload channels allow for data redundancy and software platform flexibility
- Diverse utility profile for a future-proof system, globally built to evolve with expanding industry and customer needs
- The SunSpec certified AcquiSuite leads the industry with more integrated SunSpec inverter models than any other data logger
- Live technical support—accessible expertise is a phone call away
- Remote assistance—our support team can quickly and easily access your AcquiSuite for troubleshooting and configuration errors
- Data backup—BMO 3.0 offers basic data monitoring and historical record keeping to pair with our industry-leading software partners
- Leading reliability—Obvius is a trusted name for industry leaders

## PANEL PARTNER ADVANTAGES

- Complete UL hardware solutions for metering and data acquisition
- Competitive pricing
- Reduced lead times
- Simplified procurement
- Single point of contact for technical support
- Designed by field engineers to address installation pain points
- Proven reliability
- 5-year warranty

## HARDWARE FEATURES

- SunSpec certified Obvius A8810 AcquiSuite is an open-ended data collection platform designed to work with virtually any device and upload to any monitoring front-end
- Veris E51 is a rugged bidirectional, full data set meter with 0.2% ANSI accuracy
- Obvius A8332-8F2D Flex I/O provides 8 configurable analog channels for expanded equipment and sensor data collection
- Digi WR31 series Ethernet routers provide both GSM and CDMA 4G cellular connectivity—North American and International options available
- Citel RS485 Surge Suppressor protects equipment from voltage surges
- Wide-range 100-277VDC power supply allows for flexible use in a variety of applications

## Obvius

20497 SW Teton Avenue, Tualatin, OR 97062 **tech line** 866-204-8134 **fax** 503-601-6878  
 ©2018 Obvius Holdings, LLC.. All rights reserved. Subject to change without notice.

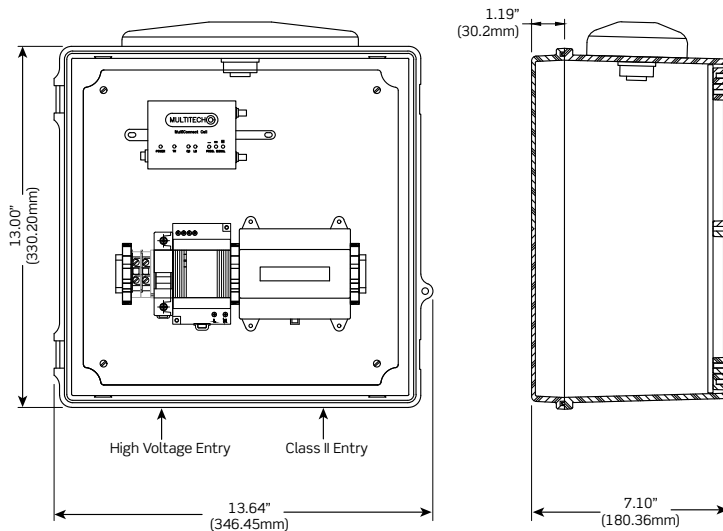
**SPECIFICATIONS**

<b>COMPONENTS</b>	
<b>Data Logger</b>	AcquiSuite EMB A8810
<b>DC Power</b>	Leviton PST24-I10, 24V 30W, 100-277V Range
<b>Cell Modem</b>	MultiTech 4G Router with 3G fall back; carriers include AT&T, T-Mobile, and Rogers (Other carriers available, CDMA options on request)
<b>Data Storage Interval</b>	15 minute default; configurable up to 1 minute
<b>Remote Upgrades</b>	Available
<b>COMMUNICATION</b>	
<b>ModBus TCP</b>	Approximately 100 devices per logger (subject to site conditions)
<b>ModBus RTU</b>	Approximately 32 devices per logger (subject to site conditions)
<b>LAN</b>	RJ45 10/100 Ethernet, full half duplex, auto polarity
<b>Cellular (optional)</b>	4G-LTE with 3G fall back; North America and International options available
<b>Networking</b>	DHCP or Static IP
<b>COMPLIANCE</b>	
SunSpec Certified, UL508A, CE, ETL	
<b>Warranty</b>	5 year
<b>POWER</b>	
<b>Voltage Inputs</b>	120-277VAC, single phase, line to neutral, 50/60Hz, fused disconnect included
<b>PHYSICAL</b>	
<b>Dimensions</b>	13.88"H x 13.64"W x 7.10"D (361.15mm x 346.46mm x 180.34mm)
<b>Enclosure Rating</b>	NEMA 4X
<b>Operating Range</b>	-22-158°F (-30-70°C)

**ORDERING INFORMATION**

<b>CAT.NO.</b>	<b>DESCRIPTION</b>
A8810-4GSM	Obvius UL508A Listed A8810 AcquiSuite-4GSM Panel (includes data acquisition server and rugged 4G cellular router)

**DIMENSIONS**



**Obvius**

20497 SW Teton Avenue, Tualatin, OR 97062 **tel** 866-204-8134 **fax** 503-601-6878  
**tech line** (7:00AM-5:00PM PT Monday-Friday) 866-204-8134

**Visit our website at: [www.obvius.com](http://www.obvius.com)**

©2018 Obvius Holdings, LLC. All rights reserved. Subject to change without notice.

G-10501/G18-tb